

General

The Model 500AB air cleaner housing is designed for use with the Model 500AB or 550AB cartridge in an HVAC system. Both of these cartridges feature deep pleated media whose area is several times the face area of the housing.

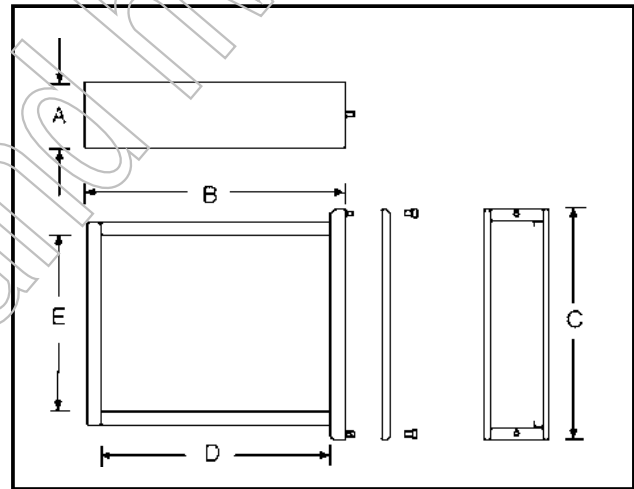
With the advent of modern air tight buildings, many of us spend our indoor hours in air that can literally make us feel sick with the recirculation of dirt, dust pollen, animal dander, and other particulates. It is for this reason that state-of-the-art air filtration is essential. Flanders Model 500AB air cleaners offer a solution you can trust, backed by nearly 50 years of filtration manufacturing experience.

The non-woven media inserts capture a wide range of airborne particles as small as 1 micron (1/25,000 of an inch in diameter). These airborne particles include grease and soot (5 microns), dust (10 microns), pollen and mold (100 microns) which are commonly found in homes. This type of filtration not only provides cleaner air but keeps these particles from building up on cooling and heating equipment.

Construction

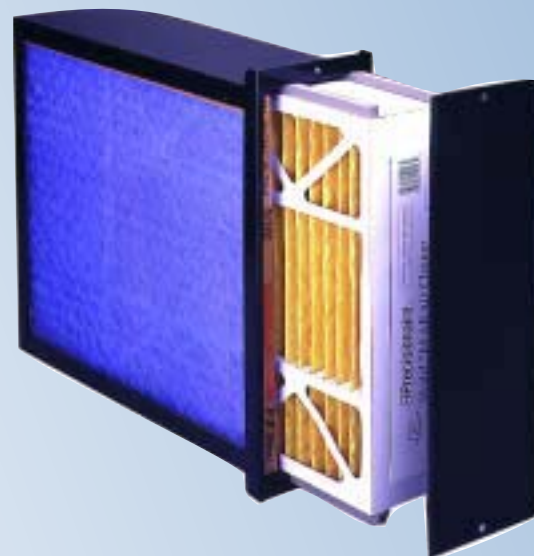
The Model 500AB air cleaner housing has a built-in prefilter track. Using a prefilter can greatly increase the useful life of a high efficiency filter such as the 500AB or 550AB cartridges. The Model 500AB air cleaner housing takes a standard 20 x 25 x 1 inch disposable panel filter as a prefilter.

Dimensions



Important Features

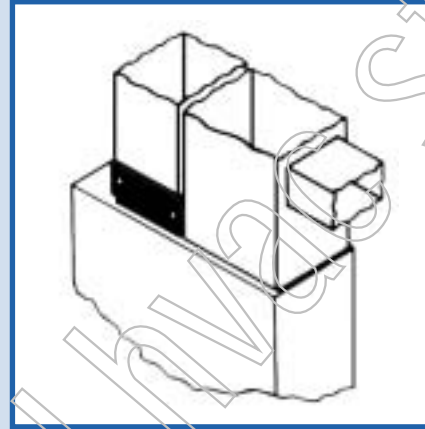
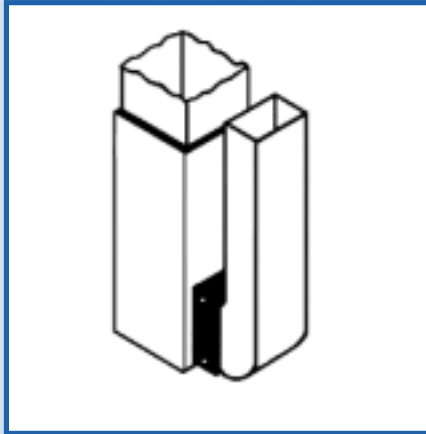
- Allows better filtration and less maintenance
- Rugged metal construction
- Prefilter track for particulate or gas/vapor control
- Easy and affordable way to upgrade residential filtration



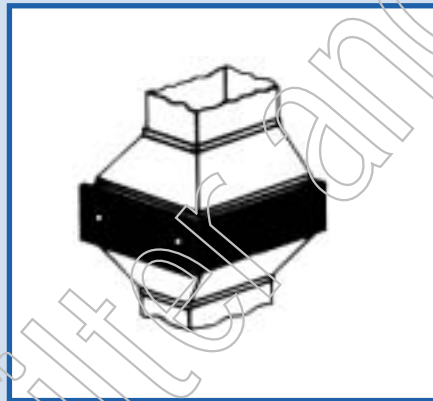
Versatile Installation

The Model 500AB air cleaner housing can be installed in a variety of configurations; Highboy, Lowboy, Horizontal, Upflow or Vertical Downflow.

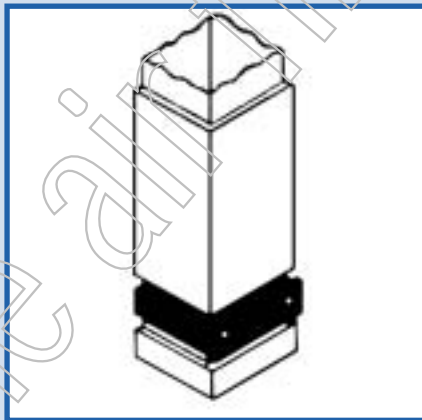
HIGHBOY



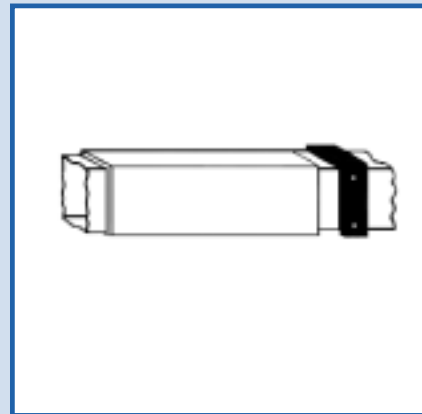
LOWBOY



**TYPICAL
TRANSITION
(VERTICAL
DOWNFLOW)**



UPFLOW



HORIZONTAL